

Ventilated Façade

A double light façade system, structural or semi-structural in its external style.

It incorporates a 140 mm chamber between the external and internal glazing in order to allow for the natural ventilation of the façade, reducing the thermal transmission towards the interior and achieving large energy efficiency for the building.

Access to the chamber is possible by way of practicable openings that facilitate cleaning and maintenance.



Ventilated Façade

Transmittance

Ucw from 0,7 (W/m²K)

Please consult dimensions and glass

Glazing

Recommended glazing is an externally tempered pane.

Maximum glazing:

- External: structural according to external glass weight
semi-structural: 28 mm.
- Internal: 39 mm.

Finishes

Colour powder coating (RAL, mottled and rough)

Wood effect powder coating

Anti-bacterial powder coating

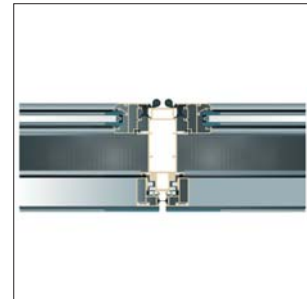
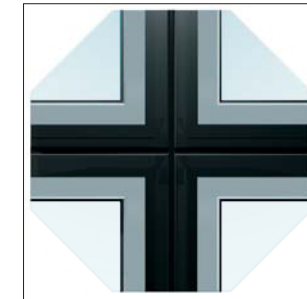
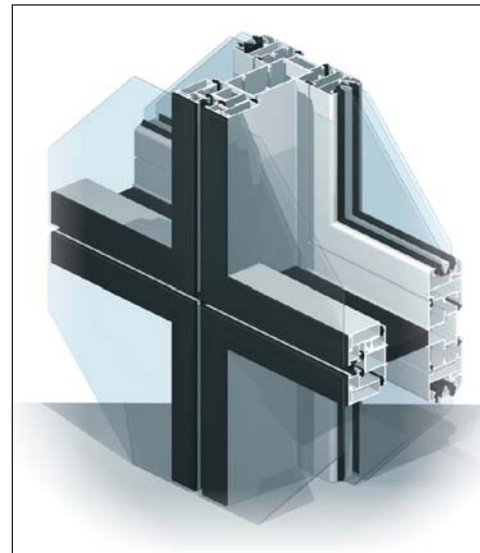
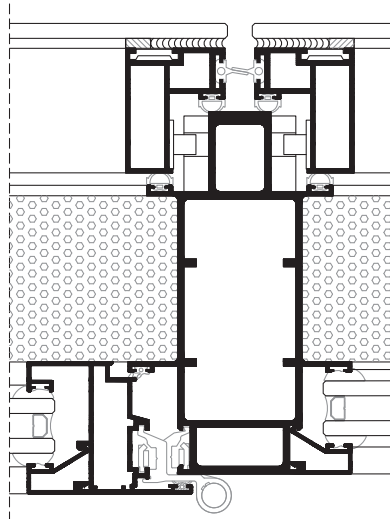
Anodized



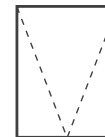
Sections

Mullion 145 mm.

Transom 45 & 34 mm.



Opening possibilities



Hidden projecting
Open-in for access to the ventilation chamber.

Maximum dimensions

Projecting opening
Max. Width (L) = 2.200 mm.
Max. Height(H) = 2.200 mm.

Maximum weight

Projecting opening 140 Kg.
Fixed light 400 Kg.